

# Multifunction Counter H7BX

## DIN 72×72 mm Multifunction Counter with a Bright, Easy-to-view, Negative Transmissive LCD.



- Highly visible display with backlit transmissive LCD.
- Selectable display color (red/green) enables checking output status at a distance.
- Easy operation with a key for each digit.
- Perform all basic settings with a DIP switch.
- Provides a total and preset counter, batch counter, dual counter, and tachometer (See note.).
- Wide range of inputs accepted for NPN/PNP inputs (multi-inputs) and 2-wire DC sensors.
- Complies with UL, CSA, and CE marking.
- Degree of protection: IP54 equivalent (front section only).



**NEW**

 Be sure to read *Safety Precautions* on page 25.

**Note:** The functions that can be selected depend on the model.

## Ordering Information

### ■ List of Models

External power supply	Output type	Supply voltage	1-stage	2-stage
12 VDC	Contact and NPN transistor output	100 to 240 VAC	H7BX-A	H7BX-AW
		24 VAC/12 to 24 VDC	H7BX-AD1	H7BX-AWD1

### ■ Accessories (Order Separately)

Name	Model
Soft Cover	Y92A-72F1
Hard Cover	Y92A-72
Terminal Cover (See note.)	Y92A-72T

**Note:** Supplied with the H7BX.

## Specifications

### ■ Ratings

Item	Model	H7BX-A/AD1	H7BX-AW/AWD1
Type		Preset counter	Preset counter/tachometer
Supported configurations		1-stage preset counter, total and preset counter (See note 1.) (selectable)	1-stage preset counter, 2-stage preset counter, total and preset counter (See note 1.), batch counter, dual counter, tachometer (selectable)
Ratings	Power supply voltage (See note 2.)	<ul style="list-style-type: none"> <li>• 100 to 240 VAC (50/60 Hz)</li> <li>• 24 VAC (50/60 Hz)/12 to 24 VDC (ripple 20% max.)</li> </ul>	
	Operating voltage range	85% to 110% of rated supply voltage (90% to 110% at 12 VDC)	
	Power consumption	H7BX-A/AW: 9.6 VA max. (100 to 240 VAC) H7BX-AD1/AWD1: 8 VA max. (24 VAC), 5.3 W max. (12 to 24 VDC)	
Mounting method		Flush mounting	
External connections		Screw terminals	
Degree of protection		IP54 (front section only)	
Input signals		CP1, CP2, reset 1, reset 2, key protection	
Counter	Max. counting speed	30 Hz or 5 kHz (selectable, ON/OFF ratio 1:1), setting for both CP1 and CP2	
	Input modes	Increment, decrement, command (UP/DOWN A), individual (UP/DOWN B), quadrature (UP/DOWN C)	
	Output modes	N, F, C, R, K-1, P, Q, A, K-2, D, L	N, F, C, R, K-1, P, Q, A, K-2, D, L, H
	One-shot output time	0.01 to 99.99 s	
	Reset input	External reset (minimum reset input signal width: 1 ms or 20 ms selectable), manual reset, and automatic reset (internal according to C, R, P, and Q mode operation)	
Tachometer	Pulse measurement method	---	Periodic measurement (Sampling period: 200 ms)
	Max. counting speed	---	30 Hz or 10 kHz (selectable)
	Measuring ranges	---	30 Hz: 0.01 to 30.00 Hz 10 kHz: 0.01 Hz to 10 kHz
	Measuring accuracy	---	±0.1% FS ±1 digit max. (at 23 ±5°C)
	Output modes	---	Upper and lower limits, area, upper limit, lower limit
	Auto-zero time	---	0.1 to 99.9 s
	Startup time	---	0.0 to 99.9 s
Average processing	---	OFF/2/4/8 times	
Prescaling function		Yes (0.001 to 99.999)	
Decimal point adjustment		Yes (rightmost 3 digits)	
Sensor waiting time		290 ms max. (Control output is turned OFF and no input is accepted during sensor waiting time.)	
Key protection input		Response speed: Approx. 1 s No-voltage NPN input (fixed) Short-circuit (ON) impedance: 1 kΩ max. (Leakage current at 0 Ω: Approx. 12 mA) Short-circuit (ON) residual voltage: 3 V max. Open (OFF) impedance: 100 kΩ min.	
Input method (except key protection input)		No-voltage NPN input or voltage PNP input (selectable) No-voltage input Short-circuit (ON) impedance: 1 kΩ max. (Leakage current at 0 Ω: Approx. 12 mA) Short-circuit (ON) residual voltage: 3 V max. Open (OFF) impedance: 100 kΩ min. Voltage input High level: 4.5 to 30 VDC Low level: 0 to 2 VDC Input resistance: Approx. 4.7 kΩ	
External power supply		12 VDC (±10%), 100 mA (For details, refer to <i>External Power Supply</i> on page 26.)	
Control output		Contact output: 3 A at 250 VDC/30 VDC, resistive load (cosφ = 1) Minimum applied load: 10 mA at 5 VDC (Failure level: P, reference value) Transistor output: 100 mA max. at 30 VDC max. Residual voltage: 1.5 VDC max. (approx. 1 V) Leakage current: 0.1 mA max.	
Display (See note 3.)		Backlit 7-segment negative transmissive LCD Character Heights PV: 13.5 mm (red/green) SV: 9 mm (green)	
Digits		6 digits -99,999 to 999,999 (5 digits negative and 6 digits positive)	6 digits Counter: -99,999 to 999,999 (5 digits negative and 6 digits positive) Tachometer: 0 to 999,999 (6 digits)
Memory backup		EEPROM (Overwrites: 100,000 min.), Data storage: 10 years min.	
Ambient operating temperature		-10 to 55°C (with no icing)	
Ambient storage temperature		-25 to 65°C (with no icing)	
Ambient operating humidity		25 to 85°C (with no condensation)	
Case color		Black (N1.5)	
Accessories		Two flush-mounting adapters, terminal cover	Two flush-mounting adapters, terminal cover, DIP switch setting stickers

**Note 1.** The total and preset counter functions as a 1-stage preset counter and total counter.  
**2.** Do not use an inverter output for the power supply.  
**3.** Displayed only when the power is ON. Not displayed when the power is OFF.

■ Characteristics

<b>Insulation resistance</b>	100 MΩ min. (at 500 VDC) between current-carrying terminal and exposed non-current-carrying metal parts, and between non-continuous contacts
<b>Dielectric strength</b>	Between current-carrying metal parts and non-current-carrying metal parts: 2,000 VAC, 50/60 Hz for 1 min Between power supply and input circuit: 2,000 VAC, 50/60 Hz for 1 min (for models other than the H7BX-A□D1) 1,000 VAC, 50/60 Hz for 1 min (H7BX-A□D1) Between control output, power supply, and input circuit: 2,000 VAC, 50/60 Hz for 1 min Between non-continuous contacts: 1,000 VAC, 50/60 Hz for 1 min
<b>Impulse withstand voltage</b>	Between power terminals: 3.0 kV (1.0 kV for 24 VAC/12 to 24 VDC models) Between current-carrying terminal and exposed non-current-carrying metal parts: 4.5 kV (1.5 kV for 24 VAC/12 to 24 VDC models)
<b>Noise immunity</b>	Between power terminals: ±1.5 kV Between input terminals: ±600 V Square-wave noise by noise simulator (Pulse width: 100 ns/1 μs, 1-ns rise)
<b>Static immunity</b>	Malfunction: 8 kV Destruction: 15 kV
<b>Vibration resistance</b>	Destruction: 10 to 55 Hz, 0.75-mm single amplitude for 4 cycles each in 3 directions (8 min/cycle) Malfunction: 10 to 55 Hz, 0.50-mm single amplitude for 4 cycles each in 3 directions (8 min/cycle)
<b>Shock resistance</b>	Destruction: 294 m/s <sup>2</sup> 3 times each in 6 directions Malfunction: 98 m/s <sup>2</sup> 3 times each in 6 directions
<b>Life expectancy</b>	Mechanical: 10,000,000 operations min. Electrical: 100,000 operations min. (3 A at 250 VAC/30 VDC, resistive load) (See note.)
<b>Weight</b>	Approx. 250 g

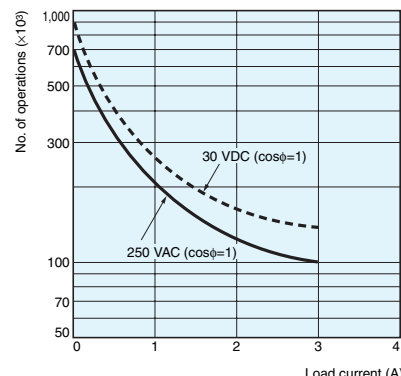
Note: Check the electrical life expectancy curve.

■ Applicable Standards

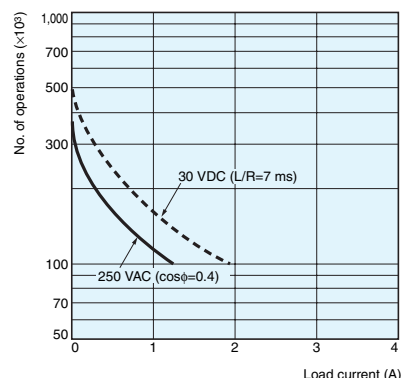
<b>Approved safety standards</b>	cURus: UL 508, CSA C22.2 No. 14 EN 61010-1 (IEC 61010-1): Pollution degree 2/overvoltage category II; EN 61326; VDE 0106 Part 100
<b>EMC</b>	(EMI) Emission Enclosure: EN 61326 Emission AC mains: EN 55011 Group 1 class A (EMS) Immunity ESD: EN 61000-4-2: 4 kV contact discharge; 8 kV air discharge Immunity RF-interference: EN 61000-4-3:10 V/m (Amplitude-modulated, 80 MHz to 1 GHz); 10 V/m (Pulse-modulated, 900 MHz ±5 MHz) Immunity Conducted Disturbance: EN 61000-4-6: 3 V (0.15 to 80 MHz) Immunity Burst: EN 61000-4-4: 2 kV power-line; 1 kV I/O signal-line Immunity Surge: EN 61000-4-5: 1 kV line to lines (power and output lines (relay outputs)); 2 kV line to ground (power and output lines (relay outputs)) Immunity Voltage Dip/Interruption: EN 61000-4-11: 0.5 cycle, 100% (rated voltage)

● Electrical Life Expectancy (Reference Values)

Resistive Load



Inductive Load



A current of 0.15 A max. can be switched at 125 VDC (cosφ = 1) and current of 0.1 A max. can be switched with L/R = 7 m/s. In both cases, a life of 100,000 operations can be expected.

■ I/O Functions

● Using as a Counter (See note 1.)

Inputs	CP1, CP2	(1) All Modes Except for Dual Counter Mode <ul style="list-style-type: none"> <li>• Reads count signals.</li> <li>• Increment, decrement, up/down (command, individual, or quadrature) inputs can be used.</li> </ul> (2) Dual Counter Mode <ul style="list-style-type: none"> <li>• Reads CP1 count signals on CP1 input and CP2 count signals on CP2 input.</li> <li>• Increment signals can be used.</li> </ul>
	Reset or Reset 1	(1) All Modes Except for Dual Counter Mode <ul style="list-style-type: none"> <li>• Resets present value and outputs (OUT2 when using the batch counter). (See note 2.)</li> <li>• Counting cannot be performed while resetting or when reset 1 input is ON.</li> <li>• The reset indicator is lit while the reset input is ON.</li> </ul> (2) Dual Counter Mode <ul style="list-style-type: none"> <li>• Resets the CP1 present value to 0.</li> <li>• Counting the CP1 input cannot be performed while the reset 1 input is ON.</li> <li>• The reset indicator is lit while the reset 1 input is ON.</li> </ul>
	Total Reset or Reset 2	The reset operation depends on the selected function. (See note 3.)
Outputs	OUT1, 2	When the corresponding set value is reached, signals are output according to the designated output mode.

Note 1. Refer to pages 14 to 17 for information on the operation of input and output functions.

2. In increment mode or increment/decrement mode, the present value returns to 0; in decrement mode, the present value returns to the set value with 1-stage models, and returns to set value 2 with 2-stage models.

3. The reset indicator will not be lit when the total reset or reset 2 input is ON.

Function	Reset operation
1-stage/2-stage preset counter	Does not operate (Not used).
Total and preset counter	<ul style="list-style-type: none"> <li>• Resets the total count value.</li> <li>• Holds the total count value at 0 while the total reset input is ON.</li> </ul>
Batch counter	<ul style="list-style-type: none"> <li>• Resets the batch count value and batch output (OUT1).</li> <li>• Holds the batch count value at 0 while the reset 2 input is ON.</li> </ul>
Dual counter	<ul style="list-style-type: none"> <li>• Resets the CP2 present value.</li> <li>• Counting for CP2 input is disabled while the reset 2 input is ON.</li> </ul>

● Using as a Tachometer

Inputs	CP1, CP2	Reads counting signals. (CP2 input is not available.)
	Reset 1, Reset 2	<ul style="list-style-type: none"> <li>• Holds the measurement value and outputs. (Reset 2 input is not available.)</li> <li>• The reset indicator is lit during hold.</li> </ul>
Outputs	OUT1, 2	Outputs signals according to the specified output mode when a set value is reached.

● Using as a Counter or Tachometer

Key protection input	<ul style="list-style-type: none"> <li>• Prohibits using the keys on the front panel.</li> <li>• Set the key protection level in function selection mode.</li> </ul>
----------------------	--

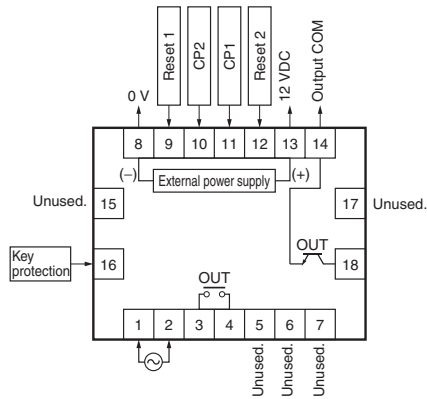
Note: For details, refer to page 24.

## Connections

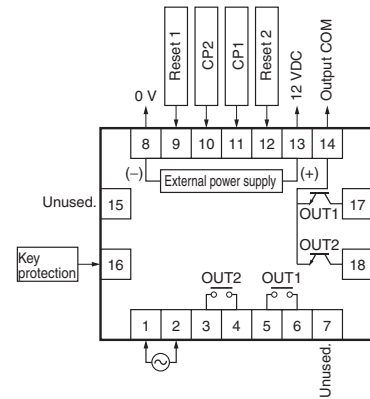
### Terminal Arrangement

Confirm that the power supply meets specifications before using the H7BX.

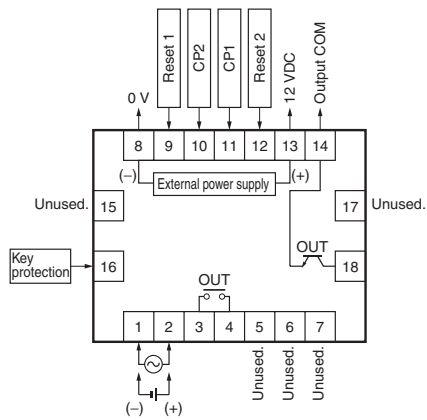
#### H7BX-A



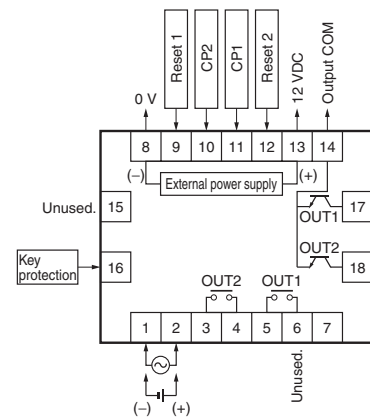
#### H7BX-AW



#### H7BX-AD1

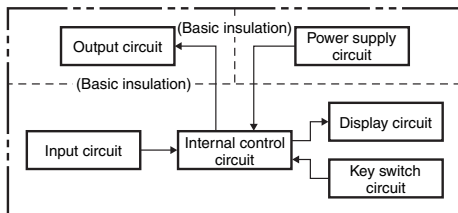


#### H7BX-AWD1



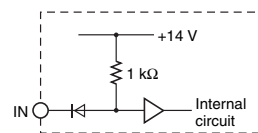
**Note:** Do not use the unused terminals for relay connections.

### Block Diagram



### Input Circuits

#### CP1, CP2, Reset/Reset 1, and Total Reset/Reset 1 Input



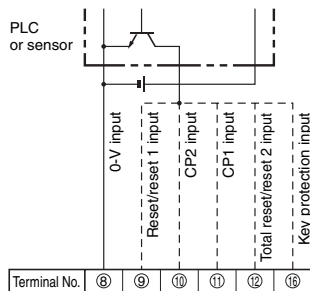
**Note:** The circuit shown above is for no-voltage input (NPN input).

## Input Connections

A no-voltage input (short-circuit or open) or voltage input can be selected for each input. (The key protection input is always a no-voltage input (NPN input)).

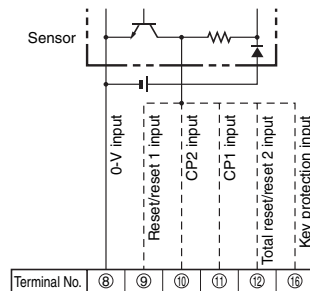
### No-voltage Inputs (NPN Inputs)

#### Open Collector



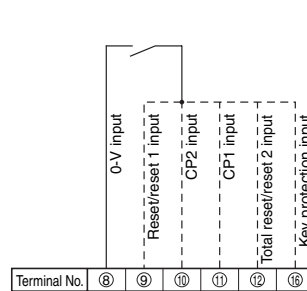
Operates when the transistor turns ON.

#### Voltage Output



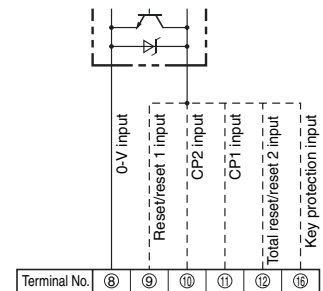
Operates when the transistor turns ON.

#### Contact Input



Operates when the contact turns ON.

#### DC Two-wire Sensor



Operates when the transistor turns ON.

**Note:** When the H7BX is used as a tachometer, the CP2 input and total reset/reset 2 input are not used.

### No-voltage Input Signal Levels

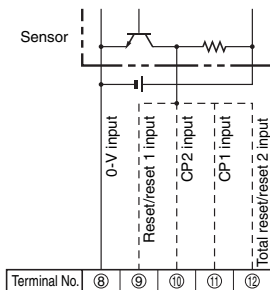
No-contact input	Short-circuit level Transistor ON
	<ul style="list-style-type: none"> <li>Residual voltage: 3 V max.</li> <li>Impedance when ON: 1 kΩ max.</li> </ul> (The leakage current is 5 to 12 mA when the impedance is 0 Ω.)
Contact input	Open level Transistor OFF
	<ul style="list-style-type: none"> <li>Impedance when OFF: 100 kΩ min.</li> </ul>
Use contact which can adequately switch 5 mA at 10 V.	

**Note:** Use a DC power supply of 30 V max.

Applicable Two-wire Sensors
<ul style="list-style-type: none"> <li>Leakage current: 1.5 mA max.</li> <li>Switching capacity: 5 mA min.</li> <li>Residual voltage: 3 VDC max.</li> <li>Operating voltage: 10 VDC</li> </ul>

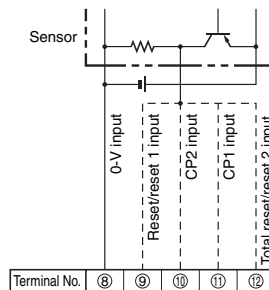
### Voltage Inputs (PNP Inputs)

#### No-contact Input (NPN Transistor)



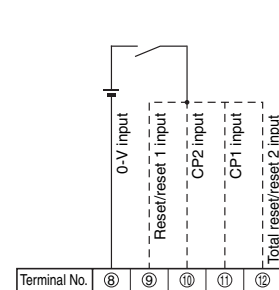
Operates when the transistor turns OFF.

#### No-contact Input (PNP Transistor)



Operates when the transistor turns ON.

#### Contact Input



Operates when the contact turns ON.

**Note:** When the H7BX is used as a tachometer, the CP2 input and total reset/reset 2 input are not used.

### Voltage Input Signal Levels

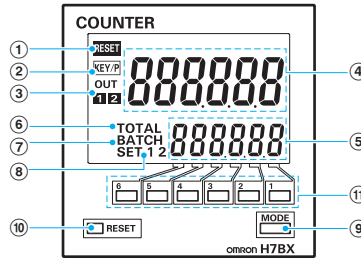
High level (Input ON): 4.5 to 30 VDC
Low level (Input OFF): 0 to 2 VDC

**Note 1.** Use a DC power supply of 30 V max.  
**Note 2.** Input resistance: Approx. 4.7 kΩ

## Nomenclature

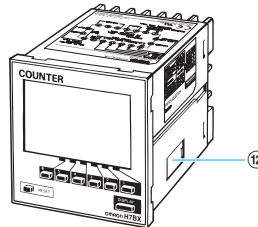
### Indicators

- ① Reset Indicator (Orange)  
Lit when the reset input (1) or reset key is ON.
- ② Key Protection Indicator (Orange)
- ③ Control Output Indicator (Orange)  
OUT: One stage  
OUT1, OUT2: Two stages
- ④ Present Value (Main Display)  
Character height: 13.5 mm (Red/green selectable)
- ⑤ Set Value (Sub-display)  
Character height: 9 mm (Green)
- ⑥ Total Count Indicator (Green)  
Lit when the total count value is displayed.
- ⑦ Batch Indicator (Green)  
Lit when the batch count value is displayed.
- ⑧ Set Value 1 and 2 Stage Indicators (Green)



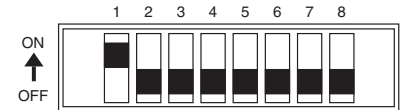
### Operation Keys

- ⑨ Mode Key  
Used to switch mode and setting items.
- ⑩ Reset Key
- ⑪ Up Keys: ① to ⑥



### Switches

- ⑫ DIP Switch



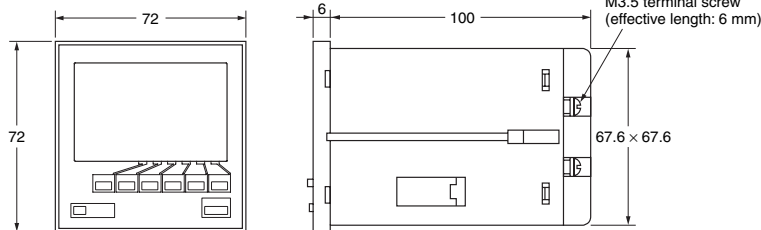
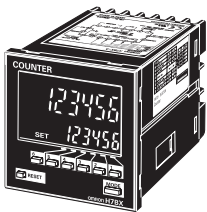
## Dimensions

(Unit: mm)

### Counter

#### Counter

H7BX-A□□

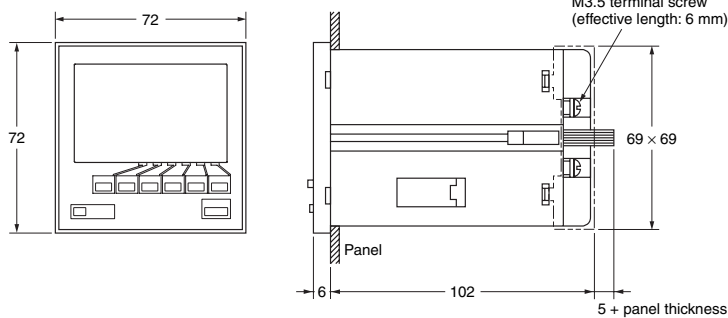
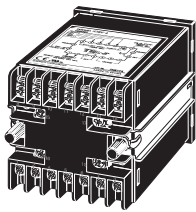


Note: M3.5 terminal screws (effective length: 6 mm).

#### Dimensions with Flush Mounting Adapter

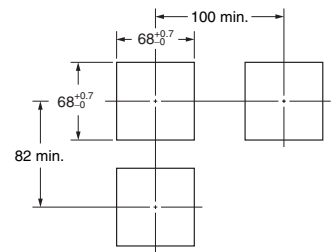
H7BX-A□□

(The flush mounting adapter is supplied with the H7BX.)



#### Panel Cutouts

Panel cutouts are as shown below (according to DIN 43700).

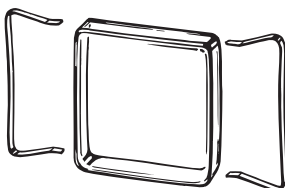


Note: The mounting panel thickness must be 1 to 5 mm.

### Accessories (Order Separately)

#### Soft Cover

Y92A-72F1



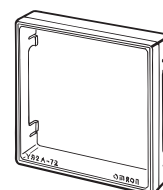
Note: Depending on the operating environment, the condition of resin parts may deteriorate, and may shrink or harden. Therefore, it is recommended that resin parts are replaced regularly.

#### Product Protection for Use in Environments Subject to Water or Oil

The panel surface has a protective structure so that the internal circuits will not be adversely affected if drops of water penetrate the gaps between the keys. If, however, there is a possibility of water or oil being present on the operator's hands, mount the optional Soft Cover. The Soft Cover ensures protection equivalent to IP54. Do not, however, use the H7BX in locations where it would come into direct contact with oil.

#### Hard Cover

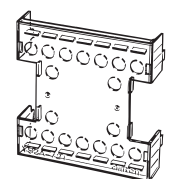
Y92A-72



#### Terminal Cover (See note.)

Y92A-72T

(VDE0106/T100)



Note: Supplied with the H7BX.

## Operating Procedures

### ■ Setting Procedure Guide

#### Settings for Counter Operation

#### (1-stage/2-stage Counter, Total and Preset Counter, Batch Counter, Dual Counter)

● Using Basic Settings Only

Basic Settings

- Counting speed (30 Hz, 5 kHz)
- Input mode (UP, DOWN)
- Output mode (N, F, C, K-1)
- One-shot output time (0.5 s, 0.05 s)
- Reset input signal width (20 ms, 1 ms)
- NPN/PNP input mode (NPN, PNP)

The settings can be made easily with the DIP switch.  
 ➔ For details on the setting methods, refer to page 9.



- Using Input Modes Not Given Above (Up/Down A, Up/Down B, Up/Down C), Output Modes (R/P/Q/A/K-2/D/L/H), or (OUT2) Output Time

Set all functions with the operation keys.  
 ➔ For details on the setting methods, refer to page 10.

- Performing Advanced Settings: Dual Count Calculating Mode, Output 1 Time, Decimal Point Position, Prescale Value, Display Color, or Key Protect Level

Settings other than the basic functions above can be performed with the operation keys.  
 ➔ For details on the setting methods, refer to page 10.

**Note:** The default setting is for a 1-stage preset counter. (For models with a 2-stage setting, the default is a 2-stage preset counter.)

#### Setting for Tachometer Operation (H7BX-AW□ only)

● Using Basic Settings Only

Basic Settings

- Counting speed (30 Hz, 10 kHz)
- Output mode (HI-LO, AREA, HI-HI, LO-LO)
- Average processing (OFF, 2, 4, 8 times)
- NPN/PNP input mode (NPN, PNP)

The settings can be made easily with the DIP switch.  
 ➔ For details on the setting methods, refer to page 19.



- Performing Advanced Settings: Decimal Point Position, Prescale Value, Auto-zero Time, Startup Time, Display Color, or Key Protect Level

Settings other than the basic functions above can be performed with the operation keys.  
 ➔ For details on the setting methods, refer to page 20.

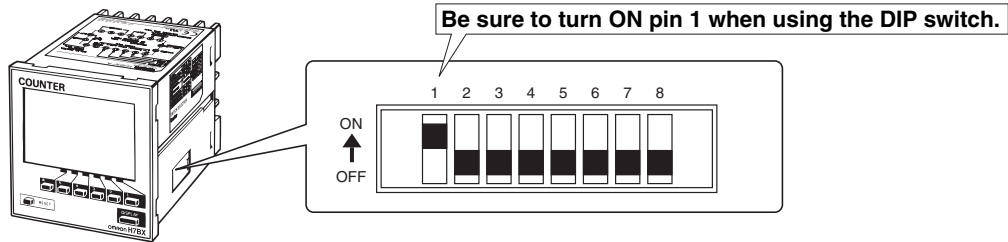
**Note:** The default setting is for a 2-stage preset counter.



**Operating Procedures (Counter Function)**

**Settings for Basic Operations**

Settings for basic functions can be performed with just the DIP switch.



Item	OFF	ON	
1	DIP switch settings enable/disable	Disabled	Enabled
2	Counting speed	30 Hz	5 kHz
3	Input mode	UP (increment)	DOWN (decrement)
4	Output mode	Refer to the table on the right.	
5			
6	One-shot output time (See note.)	0.5 s	0.05 s
7	Reset input signal width	20 ms	1 ms
8	NPN/PNP input mode	NPN (no-voltage)	PNP (voltage)

Pin 4	Pin 5	Output mode
OFF	OFF	N
ON	OFF	F
OFF	ON	C
ON	ON	K-1

Note: All the pins are factory-set to OFF.

The ON/OFF status of the DIP switch pins can be confirmed using the front display. For details, refer to page 23.

Convenient Function

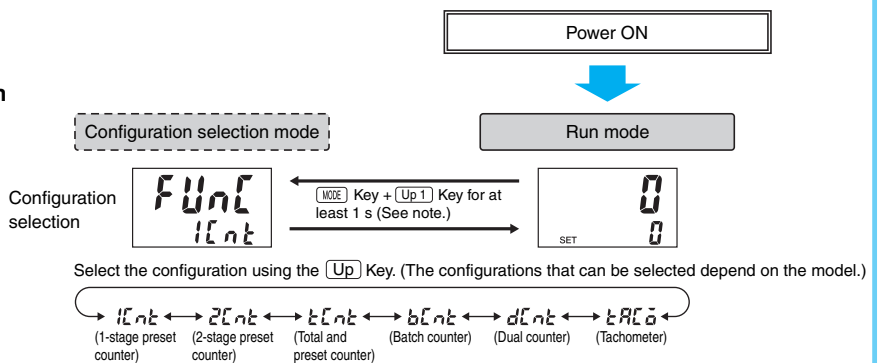
**Caution**

- Always turn OFF the power supply before changing the DIP switch settings.
- Always turn ON pin 1 when performing settings with the DIP switch. Performing settings with the DIP switch is disabled when pin 1 is OFF.
- DIP switch setting changes will be updated when the power is turned ON. Perform the settings before performing installation and supplying power.
- Properly set the DIP switch to match the item being counted (or measured) and use the DIP switch monitor for confirmation.
- Use the keys on the front panel to perform all settings for input modes, output modes, and output times that cannot be set with the DIP switch. For details on the setting methods, refer to page 10. When performing these settings, always turn OFF pin 1 (DIP switch setting) (disabled).

**Using the H7BX as a Total and Preset Counter, Batch Counter, or Dual Counter**

The default setting is for a 1-stage preset counter. (For models with a 2-stage setting, the default is for a 2-stage preset counter.) To make changes, use the procedure shown on the right. For details, refer to page 23.

Hold down the **MODE** Key and press the **Up 1** Key for at least 1 s.  
The mode will not change if the **Up 1** Key is pressed first.



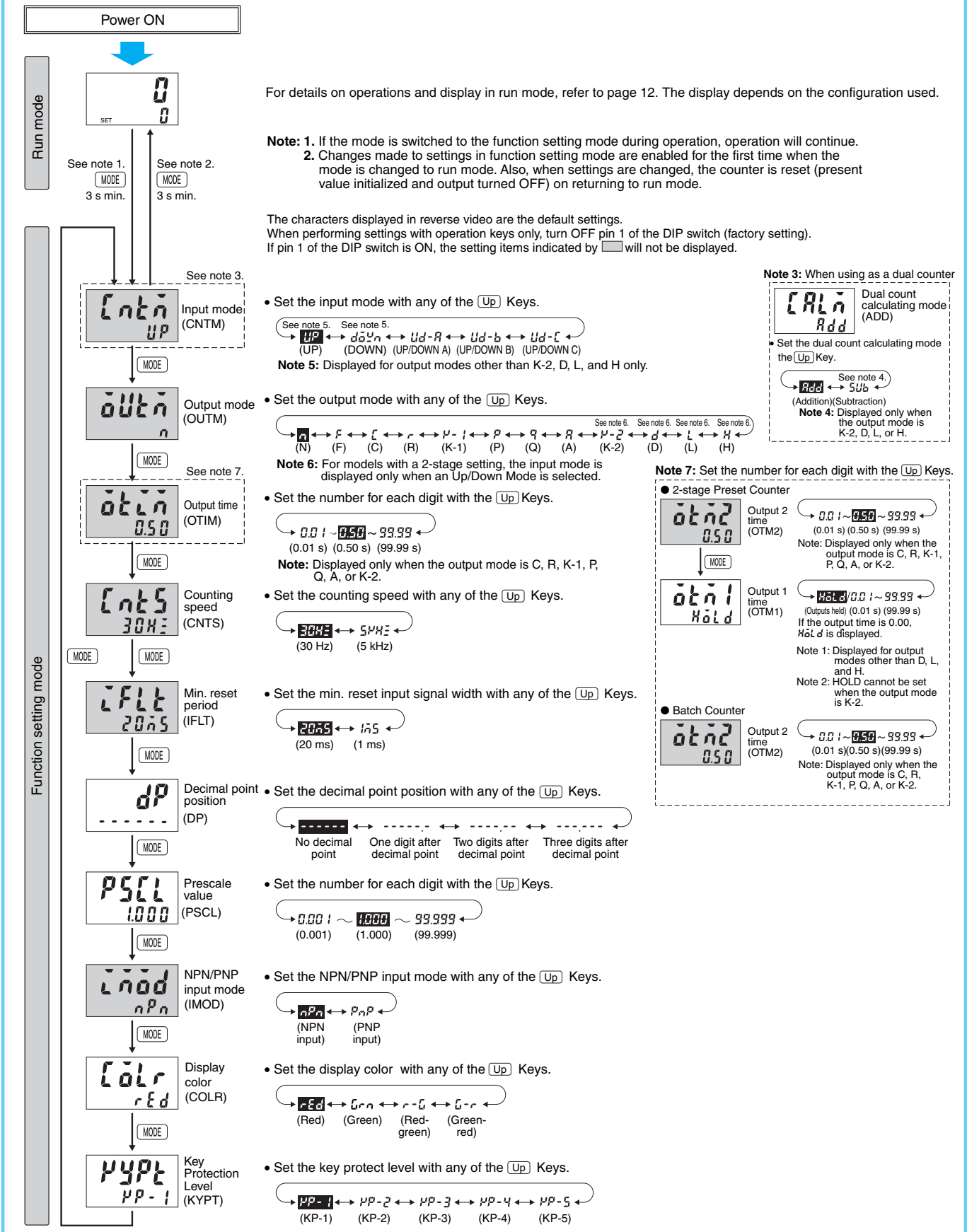
Note: This includes using a model with a 2-stage setting as a 1-stage preset counter.

After setting the DIP switch for basic operations, advanced functions (see note) can be added using the operation keys. For details, refer to page 10.

Note: Advanced functions consist of dual count calculating mode, output 1 time, decimal point position, prescale value, display color, and key protect level.

When using the H7BX as a Total and Preset Counter, Batch Counter, or Dual Counter, switch the configuration using the procedure on page 23.  
**Setting Advanced Functions**

Settings that cannot be performed with the DIP switch are performed with the operation keys.



## ■ Explanation of Functions

Settings marked with a star can be performed with the DIP switch.

### • Input Mode (ꠤꠤꠤ) ★

Set increment mode (UP), decrement mode (DOWN), or one of the increment/decrement modes (UP/DOWN A, UP/DOWN B, or UP/DOWN C) as the input mode. Input modes other than UP or DOWN modes cannot be set using the DIP switch. Use the operation keys if other modes are required. (For details on the operation of the input modes, refer to *Input Modes and Present Value* on page 13.)

### • Dual Count Calculating Mode (ꠤꠤꠤ) ★

When the H7BX using as a dual counter, select either ADD (addition) or SUB (subtraction) as the calculation method for the dual count value.

ADD: Dual count value = CP1 PV + CP2 PV

SUB: Dual count value = CP1 PV – CP2 PV

### • Output Mode (ꠤꠤꠤ) ★

Set the way that control output for the present value is output. The possible settings are N, F, C, R, K-1, P, Q, A, K-2, D, L, and H. Output modes other than N, F, C, or K-1 cannot be set using the DIP switch. Use the operation keys if other modes are required. The output modes that can be set vary with the model. (For details on the operation of the output modes, refer to *Input/Output Mode Settings* on page 14.)

### • One-shot Output Time (ꠤꠤꠤ) ★

Set the one-shot output time (0.01 to 99.99 s) for the control output. A one-shot output can be used only when C, R, K-1, P, Q, A, or K-2 is selected as the output mode. Output times other than 0.5 s or 0.05 s cannot be set with the DIP switch. Use the operation keys if other settings are required.

### • One-shot Output 2 Time (ꠤꠤꠤ) ★

When the H7BX using as a 2-stage counter or batch counter, set the one-shot output time (0.01 to 99.99 s) for control output (OUT2). A one-shot output can be used only when C, R, K-1, P, Q, A, or K-2 is selected as the output mode. Output times other than 0.5 s or 0.05 s cannot be set with the DIP switch. Use the operation keys if other settings are required.

### • One-shot Output 1 Time (ꠤꠤꠤ) ★

When the H7BX using as a 2-stage counter, set the one-shot output time (0.01 to 99.99 s) for control output (OUT1). A one-shot output can be used only when D, L, or H is selected as the output mode. If the output time is set to 0.00, *Hold* is displayed, and outputs are held.

### • Counting Speed (ꠤꠤꠤ) ★

Set the maximum counting speed (30 Hz/5 kHz) for CP1 and CP2 inputs together. If contacts are used for input signals, set the counting speed to 30 Hz. Processing to eliminate chattering is performed for this setting.

### • Reset Input Signal Width (ꠤꠤꠤ) ★

Set the reset input signal width (20 ms/1 ms) for reset/reset 1 and total reset/reset 2 inputs together. If contacts are used for input signals, set the counting speed to 20 ms. Processing to eliminate chattering is performed for this setting.

### • Decimal Point Position (ꠤꠤꠤ)

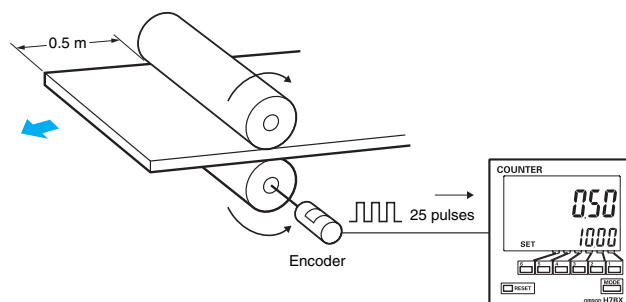
Decide the decimal point position for the present value, CP1/CP2 present values, set values (SV1, SV2), total count value, dual count value and dual count set value.

### • Prescale Value (ꠤꠤꠤ)

Pulses input to the counter are converted according to the specified prescale value.

Setting range: 0.001 to 99.999

Example: To display the feed distance for systems that output 25 pulses for a feed length of 0.5 m in the form □□.□□ m:  
 1. Set the decimal point position to 2 decimal places.  
 2. Set the prescale value to 0.02 (0.5 ÷ 25).



**Note:** Incorrectly setting the prescale value will result in counting errors. Check that the setting has been performed correctly before using the H7BX.

### • NPN/PNP Input Mode (ꠤꠤꠤ)

Select either NPN input (no-voltage input) or PNP input (voltage input) as the input format. For 2-wire sensors, set the format to NPN input. The same format setting applies to all external inputs. For information on input connections, refer to page 6.

### • Display Color (ꠤꠤꠤ)

Set the color used for the present value.

	Output OFF (See note.)	Output ON (See note.)
rEd	Red (fixed)	
Grn	Green (fixed)	
r-G	Red	Green
G-r	Green	Red

**Note:** When the H7BX using as a 2-stage counter, this is the status of output 2.

### • Key Protect Level (ꠤꠤꠤ)

Set the key protect level.

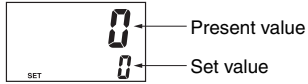
For details, refer to *Key Protect Level* on page 24.

## ■ Operation in Run Mode

- Set the number for each digit with the **[Up]** Keys.

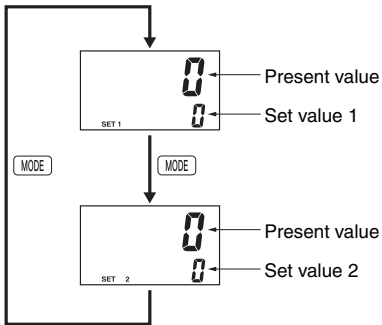


### ● 1-stage Counter

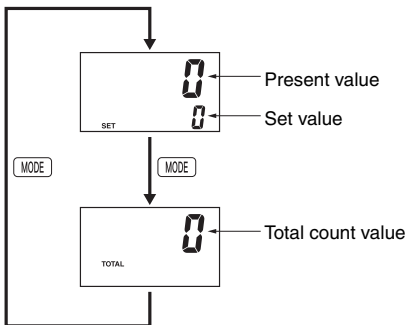


- **Present Value**  
Shows the present count value.
- **Set Value (Set Value 1, Set Value 2)**  
Set the set value.  
When the present value reaches the set value, signals are output according to the specified output mode.

### ● 2-stage Counter

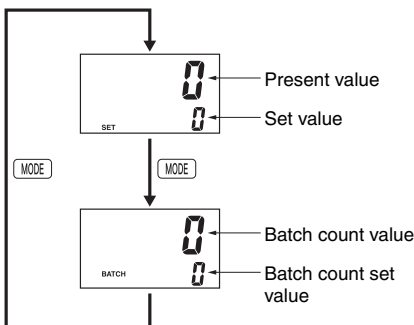


### ● Total and Preset Counter



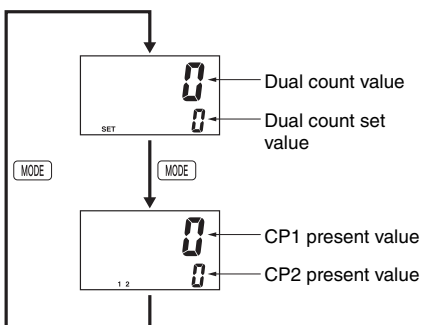
- **Present Value/Set Value**  
Same as 1-stage counter.
- **Total Count Value**  
Shows the present total count value.

### ● Batch Counter



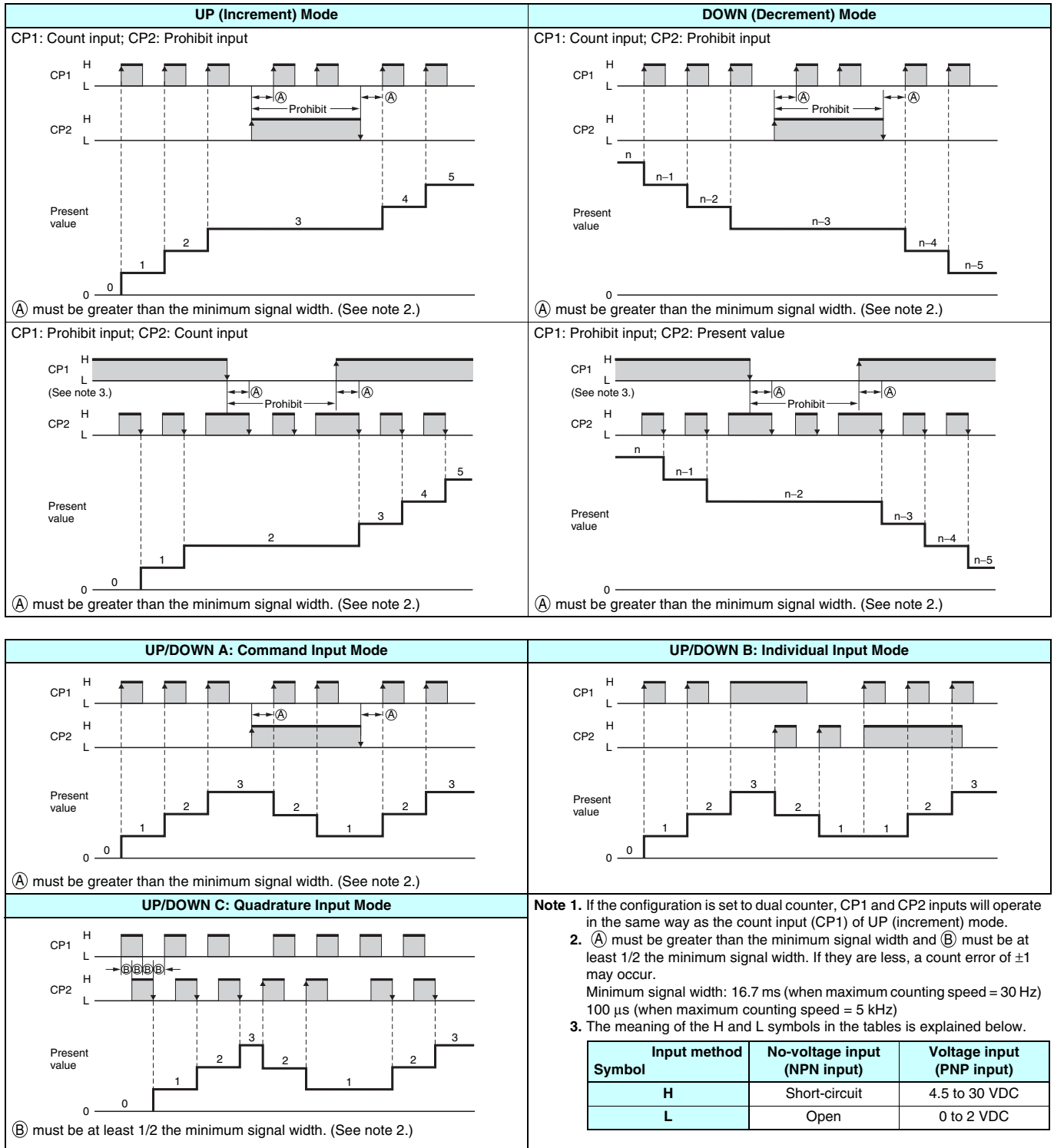
- **Present Value/Set Value**  
Same as 1-stage counter.
- **Batch Count Value**  
Shows the number of times the count has been completed for the present value.
- **Batch Count Set Value**  
Set the batch count set value. When the batch count value reaches the batch count set value, batch output (OUT1) turns ON.

### ● Dual Counter



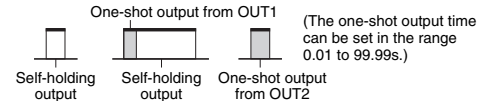
- **Dual Count Value**  
Shows the sum of the CP1 present value and CP2 present value when the dual count calculating mode is ADD and shows the value obtained by subtracting the CP2 present value from the CP1 present value when the dual count calculating mode is SUB.
- **Dual Count Set Value**  
Set the dual count set value. When the dual count value reaches the dual count set value, signals are output according to the specified output mode.
- **CP1/CP2 Present Value**  
Show the present count values for CP1 and CP2 present values respectively.

**Input Modes and Present Value** (See note 1.)



### Input/Output Mode Settings

Operation for 1-stage models is the same as that for OUT2.  
 When using a 2-stage model as a 1-stage counter, total and preset counter, or dual counter, OUT1 and OUT2 turn ON and OFF simultaneously.

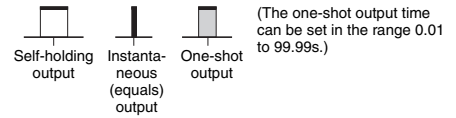


		Input mode			Operation after count completion
		UP	DOWN	UP/DOWN A, B, C	
Output mode setting	N				The outputs and present value display are held until reset/reset 1 input turns ON.
	F				The present value display continues to increase/decrease. The outputs are held until reset/reset 1 input turns ON.
	C				As soon as the count reaches SV, the present value display returns to the reset start status. The present value display does not show the present value upon count-up. The outputs repeat one-shot operation. OUT1 self-holding output turns OFF after the OUT2 one-shot output time. The OUT1 one-shot output time is independent of OUT2.
	R				The present value display returns to the reset start status after the one-shot output time. The outputs repeat one-shot operation. OUT1 self-holding output turns OFF after the OUT2 one-shot output time. The OUT1 one-shot output time is independent of OUT2.
	K-1				The present value display continues to increase/decrease. OUT1 self-holding output turns OFF after the OUT2 one-shot output time. The OUT1 one-shot output time is independent of OUT2.



		Input mode			Operation after count completion
		UP	DOWN	UP/DOWN A, B, C	
Output mode setting	P				<p>The present value display does not change during the one-shot output time period, but the actual count returns to the reset start status.</p> <p>The outputs return to the one-shot start state and repeat one-shot operation. OUT1 self-holding output turns OFF after the OUT2 one-shot output time. The OUT1 one-shot output time is independent of OUT2.</p>
	Q				<p>The present value continues to increase/decrease for the one-shot output time, but returns to the reset start status after the one-shot output time has elapsed.</p> <p>The outputs repeat one-shot operation. OUT1 self-holding output turns OFF after the OUT2 one-shot output time. The OUT1 one-shot output time is independent of OUT2.</p>
	A				<p>The present value display and OUT1 self-holding output is held until reset/reset 1 input turns ON. OUT1 and OUT2 are independent.</p>

- Note 1.** When the present value reaches 999999, it returns to 0.
- Counting cannot be performed while the reset/reset 1 input is ON.
  - If reset/reset 1 input turns ON while the one-shot output is ON, one-shot output turns OFF.
  - If there is power failure while an output is ON, the output will turn ON again when the power supply has recovered. For a one-shot output, the output will turn ON again for the duration of the output time setting once the power supply has recovered.
  - Do not use the counter function in applications where the count may be completed (again) while the one-shot output is ON.
  - The set values are between 0 and 999999.



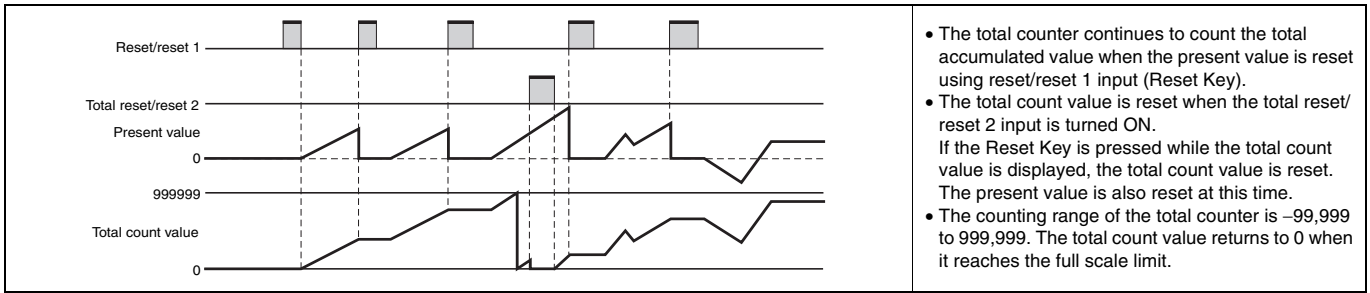
		Input mode	Operation after count completion
		UP/DOWN A, B, C	
Output mode setting	K-2		The display continues to increase/decrease until the overflow or underflow value is reached. Only a one-shot output is possible.
	D		The display continues to increase/decrease until the overflow or underflow value is reached. The outputs are ON while the count is equal.
	L		The display continues to increase/decrease until the overflow or underflow value is reached. OUT1 is held while the present value is less than or equal to set value 1. OUT2 is held while the present value is greater than or equal to set value 2.
	H		The display continues to increase/decrease until the overflow or underflow value is reached. OUT1 is held while the present value is greater than or equal to set value 1. OUT2 is held while the present value is greater than or equal to set value 2. <b>Note:</b> H mode is available only when using a 2-stage counter.

- Note 1.** Counting cannot be performed while the reset/reset 1 input is ON.  
**2.** If reset/reset 1 input turns ON while the one-shot output is ON, the one-shot output turns OFF.  
**3.** If there is power failure while the output is ON, the output will turn ON again when the power supply has recovered. For a one-shot output, the output will turn ON again for the duration of the output time setting once the power supply has recovered.  
**4.** Do not use the counter function in applications where the count may be completed (again) while the one-shot output is ON.  
**5.** The set values are between -99999 and 999999.



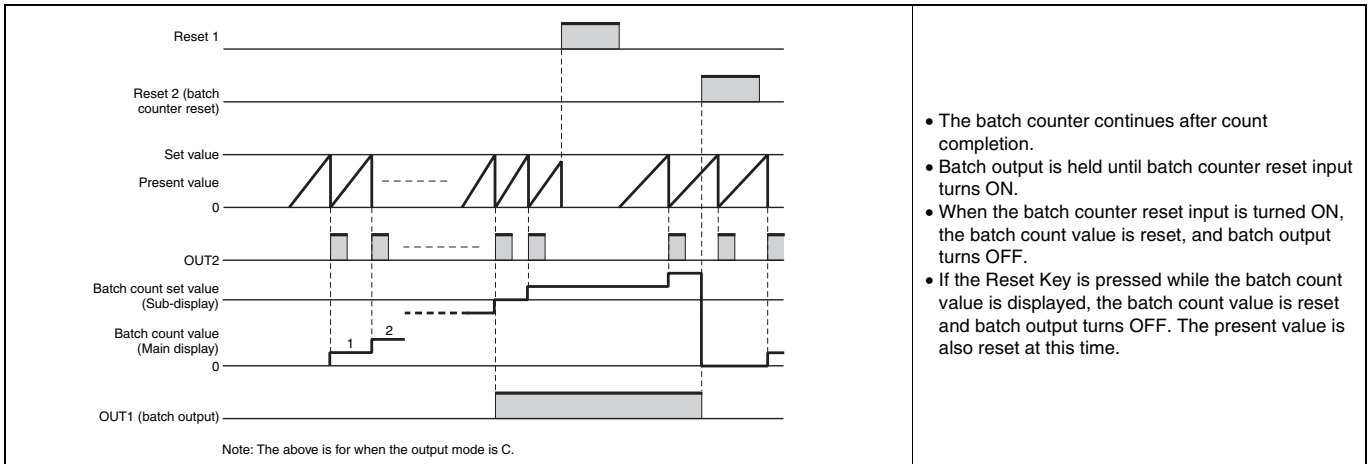
● Total and Preset Counter Operation

The H7BX has a total counter separate from the 1-stage preset counter for counting the total accumulated value.



● Batch Counter Operation

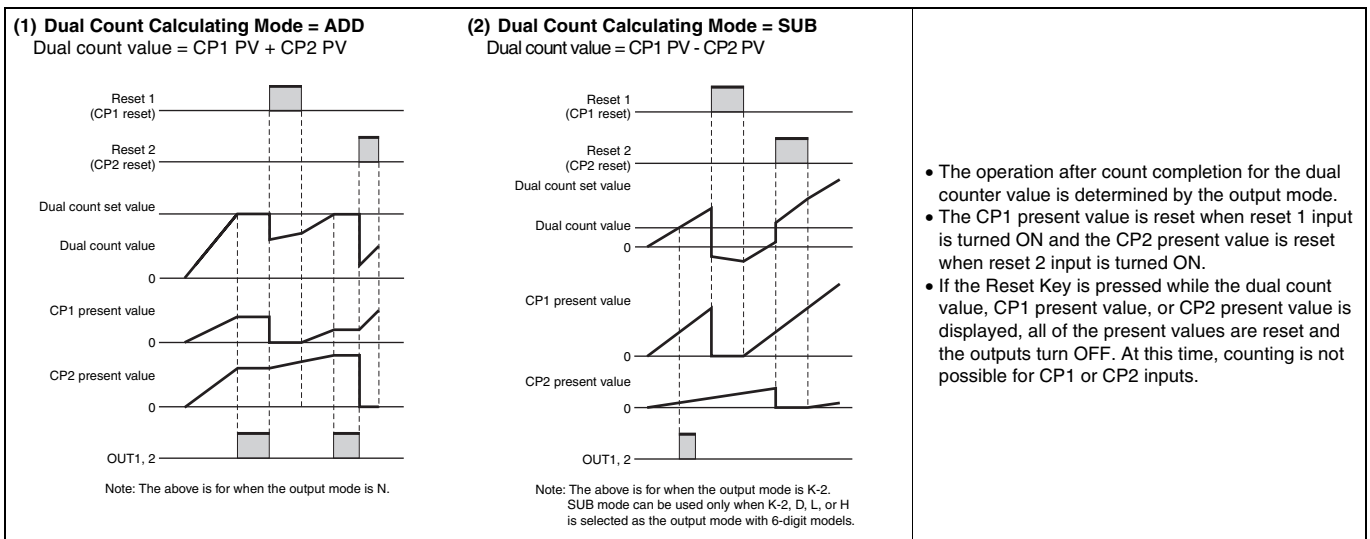
The H7BX has a batch counter separate from the 1-stage preset counter for counting the number of times the count has been completed.



- Note 1.** The batch count value is held at 0 while the batch counter reset input is on.  
**2.** If the batch count set value is 0, batch count will be performed but there will be no batch output.  
**3.** The batch count value returns to 0 when it reaches 999,999.  
**4.** Once batch input has been turned ON, it will return to the ON state after power interruptions.  
**5.** If the batch count set value is changed from a value that is greater than the batch count value to one that is less, batch output will turn ON.  
**6.** After batch output turns ON, the ON state will be held even if the batch count set value is changed to a value greater than the batch count value.

● Dual Counter Operation

Using the dual counter allows the count from 2 inputs to be added or subtracted and the result displayed. It is possible to specify a set value for which output turns ON when the set value matches the added or subtracted result.



- Note 1.** Counting is not possible for CP1 while the reset 1 input is ON. CP2 is not affected. The dual count value will be calculated based on a CP1 present value of 0.  
**2.** Counting is not possible for CP2 while the reset 2 input is ON. CP1 is not affected. The dual count value will be calculated based on a CP2 present value of 0.  
**3.** The counting range for the dual count value is -99,999 to 999,999.  
 The counting ranges for the CP1 present value and CP2 present value are 0 to 999,999.  
 If a present value exceeds 999,999, FFFFFFFF will be displayed to indicate an overflow, and all counting will stop.

■ Reset Function List

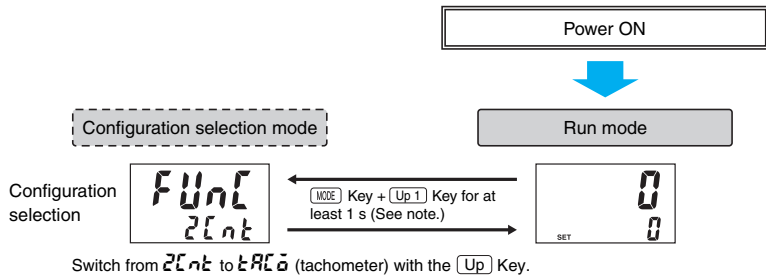
Function	1-stage/2-stage counter	Total and preset counter		Batch counter		Dual counter	
		Present value/set value (1, 2)	Present value/set value	Total count value	Present value/set value	Batch count value/batch count set value	Dual count value/dual count set value
<b>Reset/reset 1</b>	Present value and output reset.	Present value and output reset.		Present value and output reset.		Only the CP1 present value is reset.	
<b>Total reset/reset 2</b>	No effect.	Only the total count value is reset.		Batch count value and batch output reset.		Only the CP2 present value is reset.	
<b>Reset Key</b>	Present value and output reset.	Present value and output reset.	Present value, total count value, and output reset.	Present value and output reset.	Present value, batch count value, output and batch output reset.	CP1 present value, CP2 present value, dual count value, and output reset.	

**Operating Procedures (Tachometer Function)** (H7BX-AW□ only)

**Switching from Counter to Tachometer**

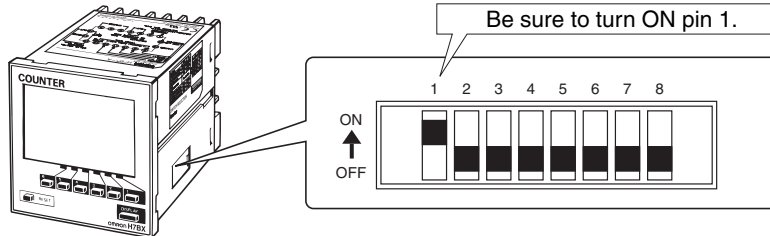
The H7BX is factory-set to the 2-stage counter configuration. To switch to the tachometer configuration, use the procedure shown on the right. For details, refer to page 23.

**Note:** Hold down the [MODE] Key and then press the [Up 1] Key for at least 1 s. The mode will not change if the [Up 1] Key is pressed first.



**Settings for Basic Operations**

Settings for basic functions can be performed with just the DIP switch.



	Item	OFF	ON
1	DIP switch settings enable/disable	Disabled	Enabled
2	Counting speed	30 Hz	10 kHz
3	Tachometer output mode	Refer to the table on the right.	
4			
5	Average processing	Refer to the table on the right.	
6			
7	---	---	---
8	NPN/PNP input mode	NPN	PNP

Pin 3	Pin 4	Tachometer output mode
OFF	OFF	Upper and lower limit
ON	OFF	Area
OFF	ON	Upper limit
ON	ON	Lower limit

Pin 4	Pin 5	Average processing
OFF	OFF	OFF (no average processing)
ON	OFF	2 times
OFF	ON	4 times
ON	ON	8 times

**Note:** All pins are factory-set to OFF.

The ON/OFF status of the DIP switch pins can be confirmed using the front display. For details, refer to page 23.

Convenient function

**Caution**

- Always turn OFF the power supply before changing the DIP switch settings.
- Always turn ON pin 1 when performing settings with the DIP switch. Performing settings with the DIP switch is disabled when pin 1 is OFF.
- DIP switch setting changes will be updated when the power is turned ON. Perform the settings before performing installation and supplying power.
- Properly set the DIP switch to match the item being counted (or measured) and use the DIP switch monitor for confirmation.

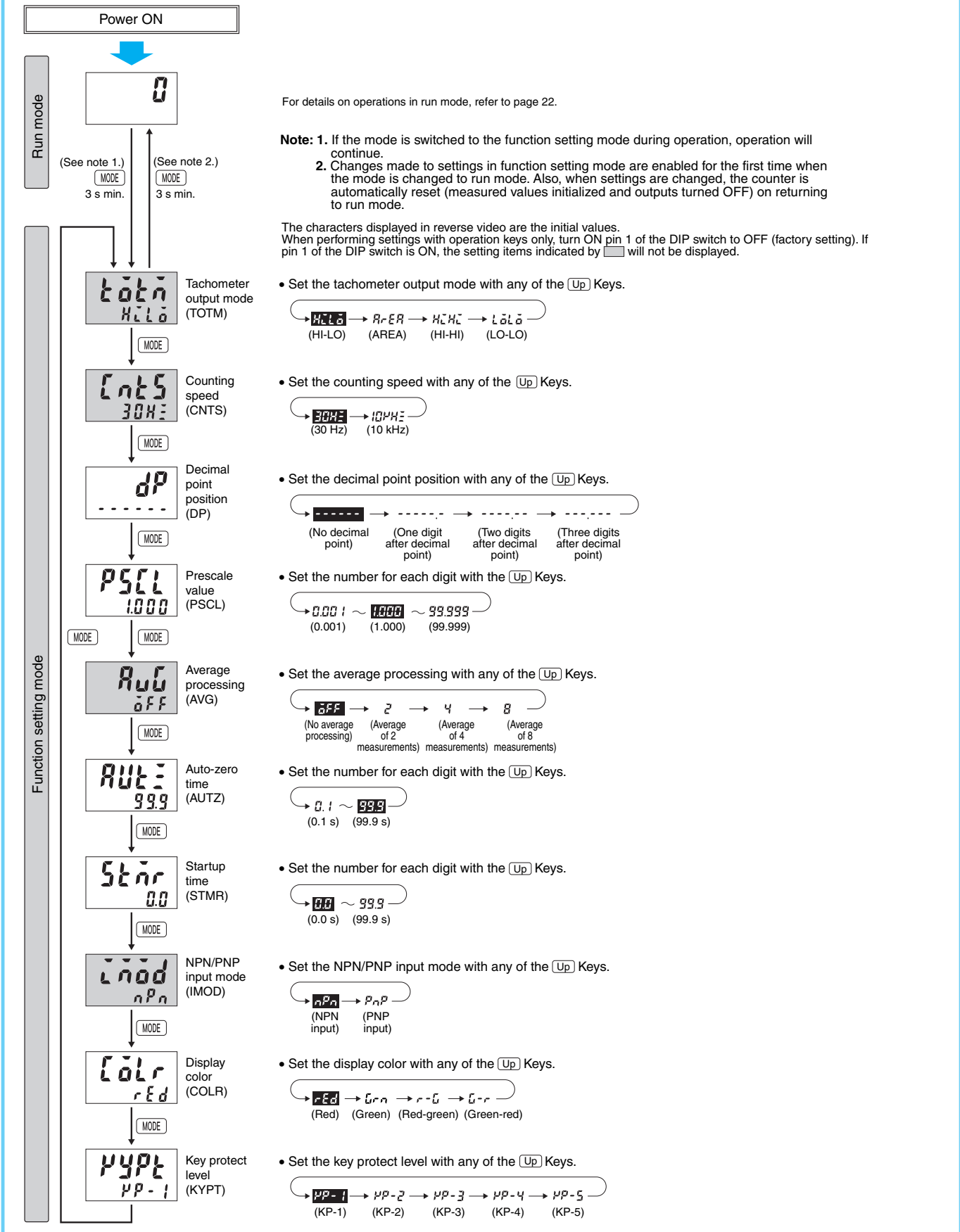
After setting the DIP switch for basic operations, advanced functions (see note) can be added using the operation keys. For details, refer to page 20.

**Note:** Advanced functions consist of the decimal point position, prescale value, auto-zero time, startup time, display color, and key protect level.

When the H7BX using as a tachometer, switch to the tachometer configuration using the procedure given on page 23.

■ Settings for Advanced Functions

Settings that cannot be performed with the DIP switch are performed with the operation keys.



## ■ Explanation of Functions

Settings marked with a star can be performed with the DIP switch.

### • Tachometer Output Mode (㊦㊧㊨) ★

Set the output method for control output based on the OUT1/OUT2 set value. Upper and lower limit (HI-LO), area (AREA), upper limit (HI-HI), and lower limit (LO-LO) can be set. (For details on the operation of the output modes, refer to *Output Mode Settings* on page 22.)

### • Counting Speed (㊩㊪㊫) ★

Set the maximum counting speed (30 Hz/10 kHz) for CP1 input. If contacts are used for input signals, set the counting speed to 30 Hz. Processing to eliminate chattering is performed for this setting.

### • Decimal Point Position (㊬㊭) ★

Decide the decimal point position for the measurement value, OUT1 set value, and OUT2 set value.

### • Prescale Value (㊮㊯㊰) ★

It is possible to display the rate of rotation or the speed of a device or machine to which the H7BX is mounted by converting input pulses to a desired unit. If this prescaling function is not used, the input frequency (Hz) will be displayed. The relationship between display and input is determined by the following equation. Set the prescale value according to the unit to be displayed.

$$\text{Displayed value} = f \times \alpha$$

f: Input pulse frequency (number of pulses in 1 second)  
 $\alpha$ : Prescale value

#### 1. Displaying the Rotation Rate

Display unit	Prescale value ( $\alpha$ )
rpm	$1/N \times 60$
rps	$1/N$

N: Number of pulses per revolution

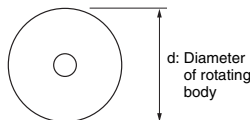
Example: In order to display the rate of rotation for a machine that outputs 5 pulses per revolution in the form  $\square\square.\square$  rpm:

1. Set the decimal point position to 1 decimal place.
2. Using the formula, set the prescale value to  $1/N \times 60 = 60/5 = 12$ .

#### 2. Displaying the Speed

Display unit	Prescale value ( $\alpha$ )
m/min	$\pi d \times 1/N \times 60$
m/s	$\pi d \times 1/N$

N: Number of pulses per revolution  
d: Diameter of rotating body (m)  
 $\pi d$ : Circumference (m)



Note: Incorrectly setting the prescale value will result in counting errors. Check that the setting has been performed correctly before using the H7BX.

### • Average Processing (㊱㊲) ★

Flickering display and output chattering can be prevented by using average processing (simple averaging). Average processing can be set to one of four levels: no average processing, 2 times (i.e., the average of 2 measurement values), 4 times, or 8 times.

The measurement cycle will be equal to the sampling cycle (200 ms) multiplied by the average processing setting (i.e., the number of times). Average processing enables fluctuating input signals to be displayed stably. Set the optimum number of times for the application.

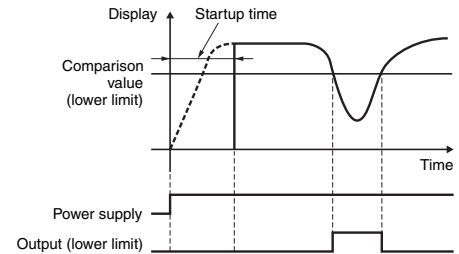
### • Auto-zero Time (㊳㊴) ★

It is possible to set the H7BX so that if there is no pulse for a certain time the display is force-set to 0. This time is called the auto-zero time. Set the auto-zero time to a time slightly longer than the estimated interval between input pulses. It will not be possible to make accurate measurements if the auto-zero time is set to a time shorter than the input pulse cycle. Setting a time that is too long may also result in problems, such as a time-lag between rotation stopping and the alarm turning ON.

### • Startup Time (㊵㊶) ★

In order to prevent undesired output resulting from unstable input immediately after the power supply is turned ON, it is possible to prohibit measurement for a set time. This time is called the startup time.

It can also be used to stop measurement and disable output until the rotating body reaches the normal rate of rotation, after the power supply to the H7BX and rotating body are turned ON at the same time.



### • NPN/PNP Input Mode (㊷㊸㊹) ★

Select either NPN input (no-voltage input) or PNP input (voltage input) as the input format. Select an NPN input when using a 2-wire sensor.

The same setting is used for all external inputs.

For details on input connections, refer to *Input Connections* on page 6.

### • Display Color (㊺㊻㊼) ★

Set the color used for the measurement value.

	Control output OFF	Control output ON
rEd	Red (fixed)	
Grn	Green (fixed)	
r-G (See note 1.)	Measured value displayed in red when both control outputs 1 and 2 are OFF.	Measured value displayed in green when either control output 1 or control output 2 is ON.
G-r (See note 2.)	Measured value displayed in green when both control outputs 1 and 2 are OFF.	Measured value displayed in red when either control output 1 or control output 2 is ON.

Note 1. If the tachometer output mode is set to AREA, however, the measured value is displayed in red when control output 1 is OFF and in green when control output 1 is ON.

2. If the tachometer output mode is set to AREA, however, the measured value is displayed in green when control output 1 is OFF and in red when control output 1 is ON.

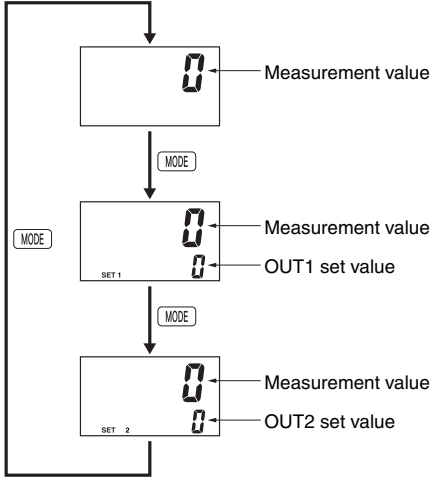
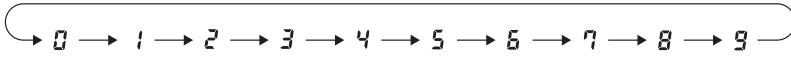
### • Key Protect Level (㊽㊾) ★

Set the key protect level.

For details, refer to *Key Protect Level* on page 24.

■ Operation in Run Mode

- Set the number for each digit with the **[Up]** Keys.



• **Measurement Value**

Displays the currently measured value.

• **OUT1/OUT2 Set Value**

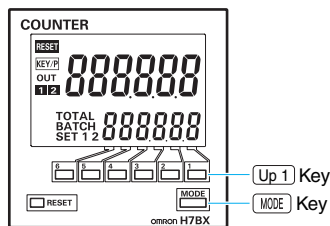
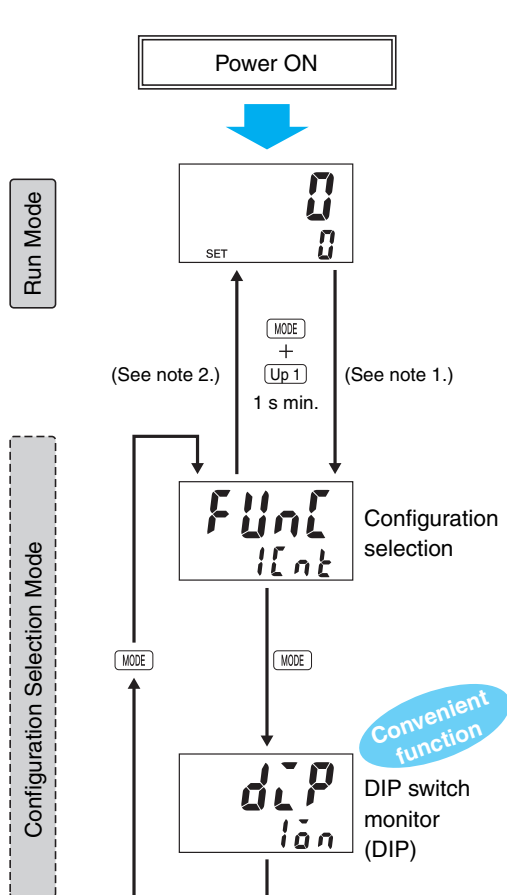
Set OUT1 set value and OUT2 set value. The measurement value is compared to OUT1 set value and OUT2 set value and output is made according to the selected output mode.

■ Output Mode Settings

Output mode setting	Upper and lower limit (HI-LO)		<p>ON condition for OUT1: Measurement value <math>\leq</math> OUT1 set value                  ON condition for OUT2: Measurement value <math>\geq</math> OUT2 set value</p>									
	Area (AREA)		<table border="1" style="width: 100%; border-collapse: collapse;"> <thead> <tr style="background-color: #e0f7fa;"> <th>Condition</th> <th>OUT1 set value <math>\leq</math> OUT2 set value</th> <th>OUT1 set value <math>&gt;</math> OUT2 set value</th> </tr> </thead> <tbody> <tr> <td style="background-color: #e0f7fa;">ON condition for OUT1</td> <td>OUT1 set value <math>\leq</math> Measurement value <math>\leq</math> OUT2 set value</td> <td>OUT2 set value <math>\leq</math> Measurement value <math>\leq</math> OUT1 set value</td> </tr> <tr> <td style="background-color: #e0f7fa;">ON condition for OUT2</td> <td>Measurement value <math>&lt;</math> OUT1 set value or Measurement value <math>&gt;</math> OUT2 set value</td> <td>Measurement value <math>&lt;</math> OUT2 set value or Measurement value <math>&gt;</math> OUT1 set value</td> </tr> </tbody> </table>	Condition	OUT1 set value $\leq$ OUT2 set value	OUT1 set value $>$ OUT2 set value	ON condition for OUT1	OUT1 set value $\leq$ Measurement value $\leq$ OUT2 set value	OUT2 set value $\leq$ Measurement value $\leq$ OUT1 set value	ON condition for OUT2	Measurement value $<$ OUT1 set value or Measurement value $>$ OUT2 set value	Measurement value $<$ OUT2 set value or Measurement value $>$ OUT1 set value
	Condition	OUT1 set value $\leq$ OUT2 set value	OUT1 set value $>$ OUT2 set value									
	ON condition for OUT1	OUT1 set value $\leq$ Measurement value $\leq$ OUT2 set value	OUT2 set value $\leq$ Measurement value $\leq$ OUT1 set value									
ON condition for OUT2	Measurement value $<$ OUT1 set value or Measurement value $>$ OUT2 set value	Measurement value $<$ OUT2 set value or Measurement value $>$ OUT1 set value										
Upper limit (HI-HI)		<p>ON condition for OUT1: Measurement value <math>\geq</math> OUT1 set value                  ON condition for OUT2: Measurement value <math>\geq</math> OUT2 set value</p>										
Lower limit (LO-LO)		<p>ON condition for OUT1: Measurement value <math>\leq</math> OUT1 set value                  ON condition for OUT2: Measurement value <math>\leq</math> OUT2 set value</p>										

## Switching between Using a Preset Counter, Total and Preset Counter, Batch Counter, Dual Counter, and Tachometer

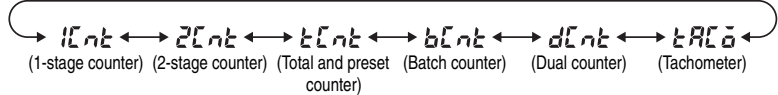
Select which H7BX configuration to use (i.e., preset counter, total and preset counter, batch counter, dual counter, or tachometer) in the configuration selection mode. The H7BX is also equipped with a DIP switch monitor function, a convenient function that enables the settings of the DIP switch pins to be confirmed using the front display.



### Caution

To change the mode to configuration selection mode, press the **Up 1** Key for 1 s min. with the key held down. The mode will not change if the **Up 1** Key is pressed first.

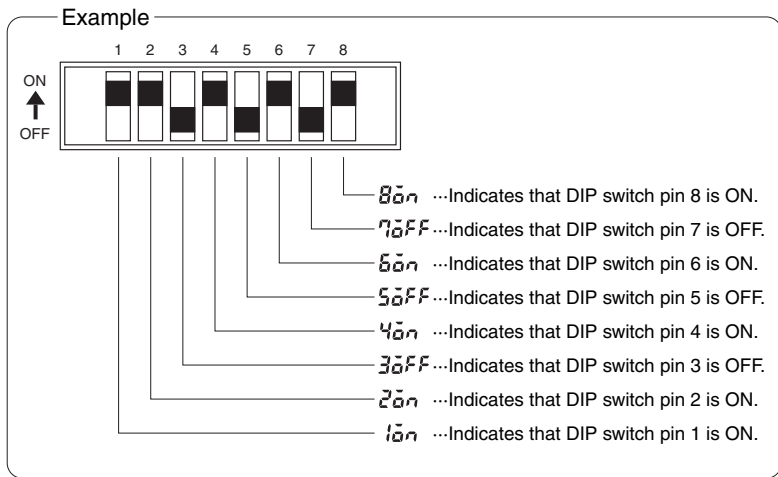
Select the configuration with any of the **Up** Keys.



- Note: 1.** The configuration that can be selected depend on the model.
- Note: 2.** The default setting is for a 1-stage preset counter. (For models with a 2-stage setting, the default is for a 2-stage preset counter.)

The status of the DIP switch pins (1 to 8) can be confirmed using the **Up** Keys.

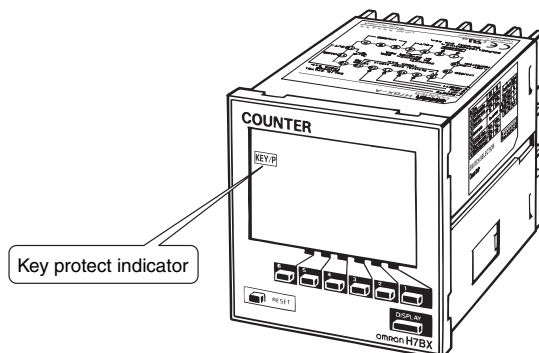
**Note:** This display is possible only if DIP switch pin 1 (DIP switch settings) is set to ON (i.e., enabled).



- Note: 1.** When the mode is changed to configuration selection mode, the present value is reset, outputs turns OFF, and counting (measuring) stops.
- Note: 2.** Setting changes made in configuration selection mode are enabled when the mode is changed to run mode. If the configuration is changed, the set value (or set value 1 and set value 2), OUT1 set value or OUT2 set value are initialized.

## ■ Key Protect Level

When the key-protect switch is set to ON, it is possible to prevent setting errors by prohibiting the use of certain operation keys by specifying the key protect level (KP-1 to KP-5). The key protect indicator is lit while the key-protect switch is set to ON. Confirm the ON/OFF status of the key protect switch after the H7BX is mounted to the panel.



Level	Meaning	Details			
		Changing mode (See note.)	Switching display in run mode	Reset Key	Up/Down Keys (Up Keys for 6-digit models)
<b>KP-1 (default setting)</b>		No	Yes	Yes	Yes
<b>KP-2</b>		No	Yes	No	Yes
<b>KP-3</b>		No	Yes	Yes	No
<b>KP-4</b>		No	Yes	No	No
<b>KP-5</b>		No	No	No	No

**Note:** Changing to configuration selection mode and function selection mode.

## ■ Self-diagnostic Function

The following displays will appear if an error occurs.

Main display	Sub-display	Error	Output status	Correction method	Set value after reset
---- (See note 1.)	No change	Present value underflow (See note 2.)	No change	Either press the Reset Key or turn ON reset input.	No change
FFFF (See note 1.)	No change	Present value overflow (See note 3.)	No change	Either press the Reset Key or turn ON reset input. (See note 4.)	No change
E1	Not lit	CPU	OFF	Either press the Reset Key or reset the power supply.	No change
E2	Not lit	Memory error (RAM)	OFF	Reset the power supply.	No change
E2	5Uñ	Memory error (EEP) (See note 5.)	OFF	Reset to the factory settings using the Reset Key.	0

**Note 1.** Display flashes (1-second cycles).

**2.** Occurs when the present value or the total count value goes below -99,999

**3.** Occurs when the present value reaches 999,999 under the following conditions:

- The output mode is K-2, D, L, or H.
- The H7BX is set for dual counter operation.

**4.** Except when the H7BX is used as a tachometer.

**5.** Includes the case where the EEPROM has reached its overwrite lifetime.



## Safety Precautions

### Caution

Minor injury due to electric shock may occasionally occur. Do not touch any of the terminals while power is being supplied.



Fire may occasionally occur. Tighten the terminal screws to a torque of 0.5 to 0.6 N·m (4.4 to 5.3 in-lb).



Minor injury due to explosion may occasionally occur. Do not use the H7BX where subject to flammable or explosive gas.



If the output relay is used beyond its life expectancy, its contacts may become fused or there may be a risk of fire. Use the output relay within its rated load and electrical life expectancy. The life expectancy of the output relay varies considerably according to its usage.



Minor electric shock, fire, or malfunction may occasionally occur. Never attempt to disassemble, modify, or repair the H7BX or touch any of the internal parts.



### Precautions for Safe Use

#### ● Operating Environment

- The H7BX is intended for indoor use only. Do not use the H7BX outdoors or in any of the following locations.
  - Locations subject to sudden or extreme changes in temperature.
  - Locations where high humidity may result in condensation.
  - Locations subject to direct sunlight.
  - Locations subject to corrosive gas.
  - Locations subject to excessive dust or dirt.
- This is a class A product (for industrial environments). In residential areas, it may cause radio interference, in which case the user may be required to take adequate measures to reduce interference.
- Use the H7BX within the specified ratings for operating temperature and humidity. Temperature rise may shorten the service life of H7BX if it is used near a power supply or other heat-generating objects.
- Use the H7BX within the specified ratings for vibration, shock, and splashing water.
- The H7BX is not oil resistant. Do not use it in locations subject to oil.
- Install the H7BX well away from any sources of excessive static electricity, such as pipes transporting molding materials, powder, or liquids.
- Store the H7BX within the specified ratings. If the H7BX has been stored at temperatures of  $-10^{\circ}\text{C}$  or lower, let it stand for 3 hours or longer at room temperature before turning ON the power supply.

#### ● Power Supply

- Maintain voltage fluctuations in the power supply within the specified range.
- Internal elements may be destroyed if a voltage beyond the rated voltage is applied.
- When the power is turned ON, an inrush current will flow for a short time (approx. 10 A for 2 ms). Depending on the power

supply capacity, operation may not start. Be sure to use a power supply with a sufficient capacity.

- Use a commercial power supply as the AC power supply for the H7BX. Using an inverter output with an output frequency of 50/60 Hz as the power supply may cause the H7BX to produce smoke or become damaged by burning.
- Use a switch, relay, or other device with contacts so that the rated power supply voltage will be reached within 2 s. If the power supply voltage is not reached quickly enough, the outputs may malfunction.
- Use a switch, relay, or other device with contacts so that the rated power supply voltage will be reached within 2 s. If the power supply voltage is not reached quickly enough, the outputs may malfunction.

#### ● Installation and Wiring

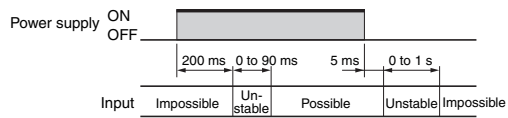
- To mount the H7BX to a panel, attach the two supplied adapters to the left and right sides of the H7BX, and securely tighten the knurled screws on the adapters by hand, maintaining a balance between them. Damage may result if the knurled screws are excessively tightened with pliers or other tools.
- Be sure to wire the terminals correctly.
- Up to two wires of the same size and type can be inserted into a single terminal.
- Do not connect more than two crimp terminals to each H7BX terminal.
- Use the specified wires for wiring.
  - Applicable wire: AWG 24 to AWG 18 (equal to a cross-sectional area of 0.20 to 0.82 mm<sup>2</sup>)
  - Solid wire or twisted wire (copper), operating temperature over 70°C.
- Separate the H7BX, the devices that generate input signals, and input signal wires from any potential sources of noise, such as high-voltage lines.

#### ● Handling

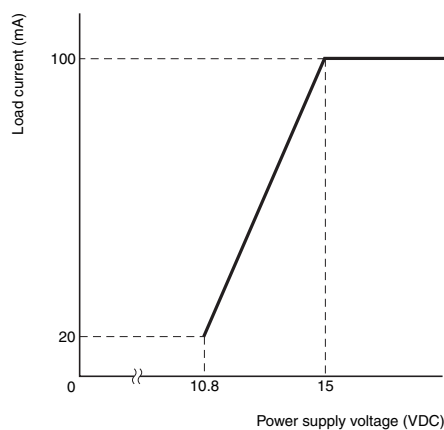
- Do not use organic solvents (such as paint thinner or benzene), strong alkaline, or strong acids because they will damage the external finish.
- Approximately 14 V will be output to the input terminals when the H7BX is used with the key protection input terminals and no-voltage input (NPN input) is used. To prevent charging accidents, connect a diode to the power supply circuit of input devices if input devices are used with a power supply of less than 14 V.
- Do not connect loads that exceed the rated output current. The output elements may be destroyed, possibly resulting in short-circuit or open-circuit faults.
- When using heaters, be sure to use a thermal switch for the load circuit.
- Always connect a diode to protect against counter electromotive force when using an inductive load. H7BX electromotive force may destroy output elements, possibly resulting in short-circuit or open-circuit faults.
- Install a switch or circuit breaker that allows the operator to immediately turn OFF the power, and label it to clearly indicate its function.
- Check that the display (backlight and LCD) is operating normally. Some operating environments may accelerate deterioration of the indicators, LCD, and resin components and cause display malfunctions. Periodically inspect and replace parts.

**Precautions for Correct Use**

- Inrush current generated by turning ON or OFF the power supply may deteriorate contacts in the power supply circuit. Turn ON or OFF using a device with a rated current of 10 A or higher.
- Input signals may be accepted, not accepted, or unstable for the following time when the power supply is turned ON or OFF. Set the system to allow leeway in the timing of input signals.



- This H7BX always compares the count value with the set value. Thus, if you change the set value during operation, please remember that the output will turn ON when the set value becomes equal to the count value.
- With the factory setting, the output will turn ON when power is supplied to the H7BX because the set value and count value are both zero. While resetting, however, the output stays OFF.
- EEPROM is used as memory when the power is interrupted. The write life of the EEPROM is 100,000 writes. The EEPROM is written when settings are changed, or the power is turned OFF.
- Water resistance will be lost if the front sheet is peeled off or torn. Do not use the H7BX if the front sheet is missing or torn.
- Abide by all local ordinances and regulations when disposing of the H7BX.
- External Power Supply  
Reduce the load current as shown in the diagram on the right according to the power supply voltage if a DC power supply is used for models specified for 24 VAC/12 to 24 VDC.



# Warranty and Application Considerations

## Read and Understand this Catalog

Please read and understand this catalog before purchasing the products. Please consult your OMRON representative if you have any questions or comments.

## Warranty and Limitations of Liability

### WARRANTY

OMRON's exclusive warranty is that the products are free from defects in materials and workmanship for a period of one year (or other period if specified) from date of sale by OMRON.

OMRON MAKES NO WARRANTY OR REPRESENTATION, EXPRESS OR IMPLIED, REGARDING NON-INFRINGEMENT, MERCHANTABILITY, OR FITNESS FOR PARTICULAR PURPOSE OF THE PRODUCTS. ANY BUYER OR USER ACKNOWLEDGES THAT THE BUYER OR USER ALONE HAS DETERMINED THAT THE PRODUCTS WILL SUITABLY MEET THE REQUIREMENTS OF THEIR INTENDED USE. OMRON DISCLAIMS ALL OTHER WARRANTIES, EXPRESS OR IMPLIED.

### LIMITATIONS OF LIABILITY

OMRON SHALL NOT BE RESPONSIBLE FOR SPECIAL, INDIRECT, OR CONSEQUENTIAL DAMAGES, LOSS OF PROFITS, OR COMMERCIAL LOSS IN ANY WAY CONNECTED WITH THE PRODUCTS, WHETHER SUCH CLAIM IS BASED ON CONTRACT, WARRANTY, NEGLIGENCE, OR STRICT LIABILITY.

In no event shall the responsibility of OMRON for any act exceed the individual price of the product on which liability is asserted.

IN NO EVENT SHALL OMRON BE RESPONSIBLE FOR WARRANTY, REPAIR, OR OTHER CLAIMS REGARDING THE PRODUCTS UNLESS OMRON'S ANALYSIS CONFIRMS THAT THE PRODUCTS WERE PROPERLY HANDLED, STORED, INSTALLED, AND MAINTAINED AND NOT SUBJECT TO CONTAMINATION, ABUSE, MISUSE, OR INAPPROPRIATE MODIFICATION OR REPAIR.

## Application Considerations

### SUITABILITY FOR USE

OMRON shall not be responsible for conformity with any standards, codes, or regulations that apply to the combination of products in the customer's application or use of the products.

Take all necessary steps to determine the suitability of the product for the systems, machines, and equipment with which it will be used.

Know and observe all prohibitions of use applicable to this product.

NEVER USE THE PRODUCTS FOR AN APPLICATION INVOLVING SERIOUS RISK TO LIFE OR PROPERTY WITHOUT ENSURING THAT THE SYSTEM AS A WHOLE HAS BEEN DESIGNED TO ADDRESS THE RISKS, AND THAT THE OMRON PRODUCTS ARE PROPERLY RATED AND INSTALLED FOR THE INTENDED USE WITHIN THE OVERALL EQUIPMENT OR SYSTEM.

## Disclaimers

### PERFORMANCE DATA

Performance data given in this catalog is provided as a guide for the user in determining suitability and does not constitute a warranty. It may represent the result of OMRON's test conditions, and the users must correlate it to actual application requirements. Actual performance is subject to the OMRON *Warranty and Limitations of Liability*.

### CHANGE IN SPECIFICATIONS

Product specifications and accessories may be changed at any time based on improvements and other reasons. Consult with your OMRON representative at any time to confirm actual specifications of purchased product.

### DIMENSIONS AND WEIGHTS

Dimensions and weights are nominal and are not to be used for manufacturing purposes, even when tolerances are shown.